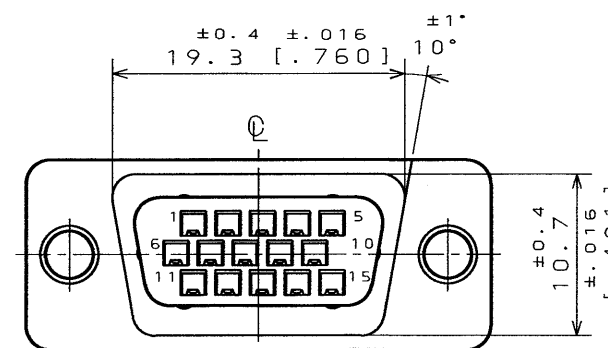
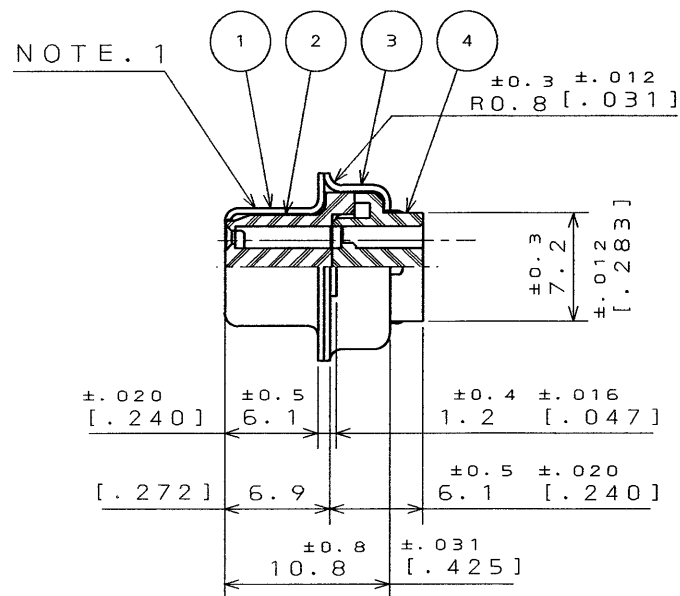
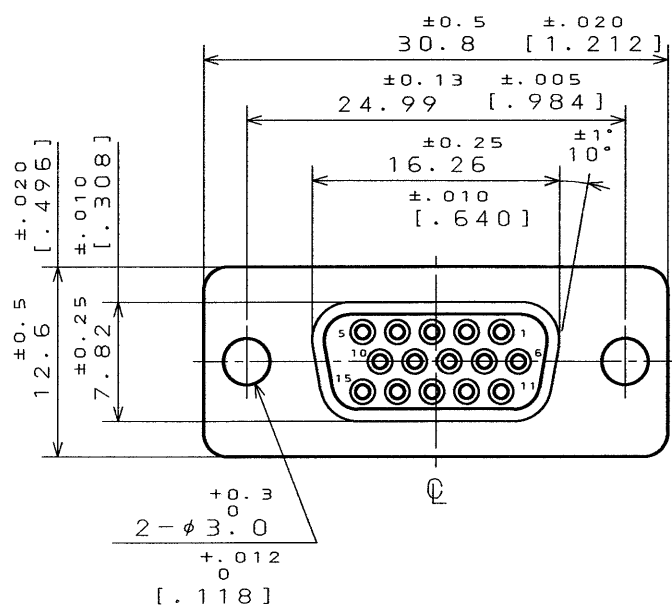


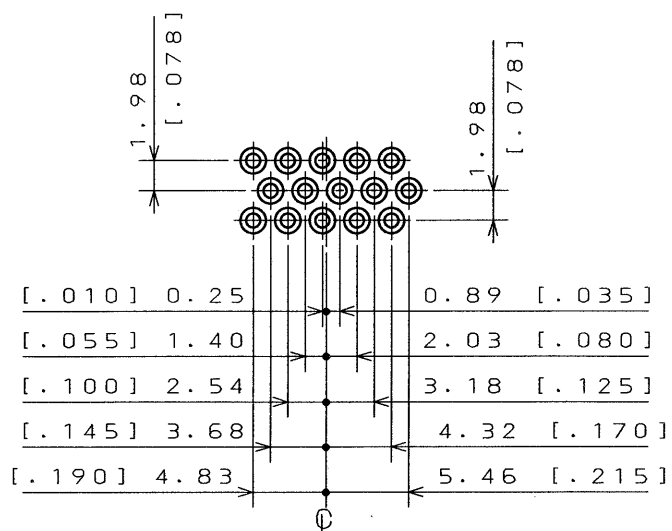
SJ023417-E

DWG. NO.

SYM.	DCN NO.	DESCRIPTION	DATE	DRAWN	CHECKED	APP'D	APP'D



- NOTE. 1. COMPANY LOGO "JAE" & "D02M15SG" AS INDICATED.  
 2. FOR PANEL CUTOUT DIMENTION, SEE DWG. NO. SJ013596.  
 3. CONTACTS ARE ORDERED SEPARATELY.



MATING LOCATION

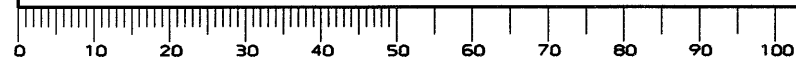
ITEM	DESCRIPTION	Q'TY	MATERIAL	FINISH	REMARKS
4	REAR INSULATOR	1	GLASS FILLED NY		UL94V-0(BLACK)
3	REAR SHELL	1	STEEL	TIN PLATING	
2	FRONT INSULATOR	1	GLASS FILLED NY		UL94V-0(BLACK)
1	FRONT SHELL	1	STEEL	TIN PLATING	

REFERENCE DOCUMENT JACS-3050-2	DATE 16-AUG-91	SCALE 1	WT. 	<b>JAE-CONNECTOR.COM</b> Reference Only JAE MUSASHINO, AKISHIMA-SHI TOKYO, JAPAN
MATERIAL	DRAWN E. MURANO (C. KITADA)	TITLE D02-M15SG-N-FO		
TREATMENT	CHECKED Y. HAYASHI Y. TAKEUCHI	APP'D <i>Y. Takeuchi</i>		DWG. NO. SJ023417-E
FINISH	APP'D <i>E. MURANO</i>	SERIES D02-M		

DIMENSIONS ARE IN MILLIMETERS  
TOLERANCES ON: (INCHES)

DIMENSION	ANGLES
. ±	X° ±
.X ±	X°X' ±
.XX ± 0.1	CONCENTRICITY
.XXX ±	WITHIN T.I.R.

DCF-116A



SIZE A3 6887 91-5887